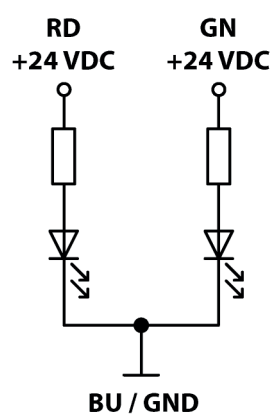


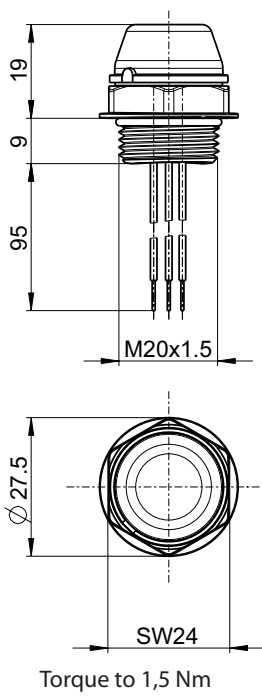
Accessories

Built-in


Description L20-RD/GN	Article number 6519125001
------------------------------	----------------------------------

Wiring Diagram






Torque to 1,5 Nm



Electrical Data		
Rated operational voltage	U_e	240 V AC / 24 V DC
Rated operational current	I_e	24 mA
Switch-on time ED		100%

Mechanical data	
Enclosure	PC / ABS (black)
Cover	PC (transparent)
Ambient air temperature	-25 °C ... +80 °C (at red or green LED) -25 °C ... +70 °C (at yellow LED)
Protection type	IP67 acc. EN 60529 (only in fully locked position with enclosed sealing ring)
Scope of delivery	Built-in and seal included
Color	red, green or yellow
Lamp	LED
Connection	Stranded wires UL/cUL-stranded wire style 1007/1569 AWG26 (0.14 mm ²) with conductor ferrules
Weight	10 g
Installation position	operator definable

Product reliability (in acc. with DIN EN 61709 (SN 29500))	
MTTF	> 7500 years (Confidence level (CL) 60 % and average ambient temperature 40°C)
Standards	
	EN 60947-5-1:2018
	DIN EN 60529:2014-09
EU Conformity	
	nach Richtlinie ROHSIII 2011/65/EU; 2015/863
Approvals	
	 (in progress)